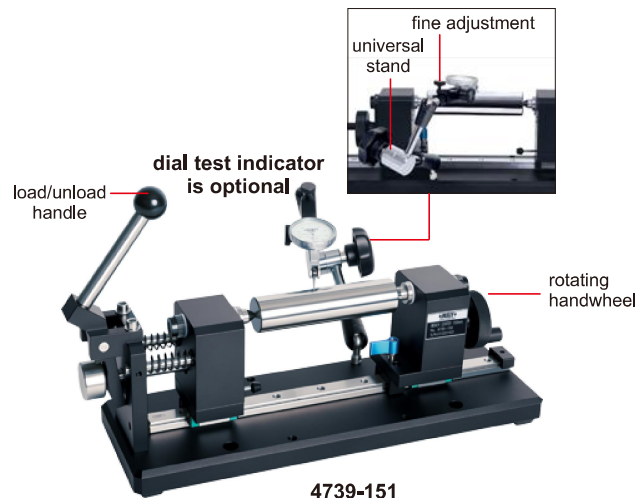
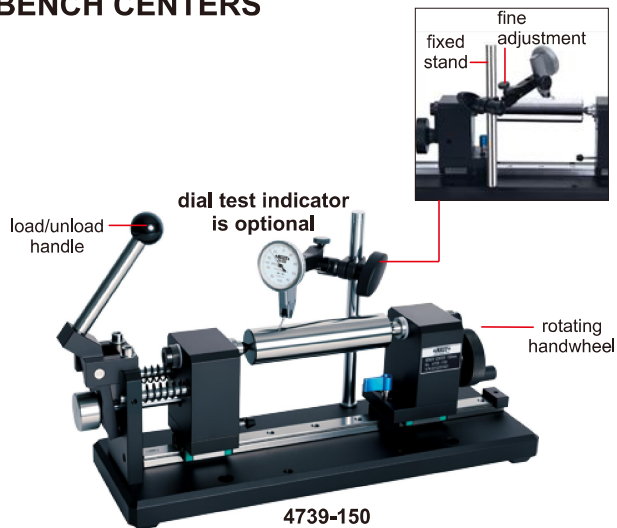
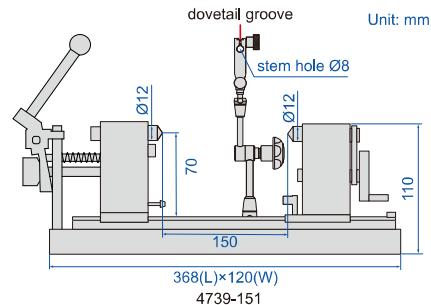


## BENCH CENTERS



- Quick positioning, suitable for mass measurement
- Suitable for cylinders with outside diameter  $\varnothing$ 3-140mm or inside diameter  $\varnothing$ 1-12mm
- Supplied with standard rod to verify accuracy
- Optional accessory: dial test indicators (code **2880-02**, **2880-02R**, **2897-02**, **2380-02**, **2381-02**, **2381-021**)

standard rod (included)



Code	Center height	Distance between two centers	Runout accuracy	Net weight	Load	Remark
<b>4739-150</b>	70mm	150mm	2 $\mu$ m	6.5kg	15kg	fixed stand, good rigidity
<b>4739-151</b>	70mm	150mm	2 $\mu$ m	6.5kg	15kg	universal stand, convenient operation